



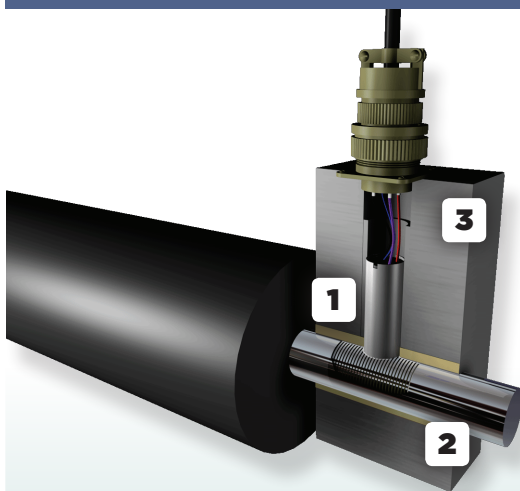
Visi-Trak®
SENSE, MONITOR, CONTROL

RUGGED, NO-CONTACT LINEAR SENSORS

PRECISE, FAST, AND RELIABLE
HYDRAULIC & PNEUMATIC CONTROLS

Visi-Trak delivers sensors & control systems designed for the unique challenges of the most demanding industries. This elegant, accurate, and proven technology forms the foundation for Visi-Trak's suite of monitoring & control products.

PROVEN IN THE HARSHTEST ENVIRONMENTS
SIMPLE, NO CONTACT DESIGN FOR INHERENT RELIABILITY



- 1 Bidirectional transducer**
with on-board microprocessor
- 2 Encoded piston rod**
enables direct position
& velocity sensing
- 3 Mounting block**
for precision positioning

SENSOR SYSTEMS



TOUGH + RELIABLE

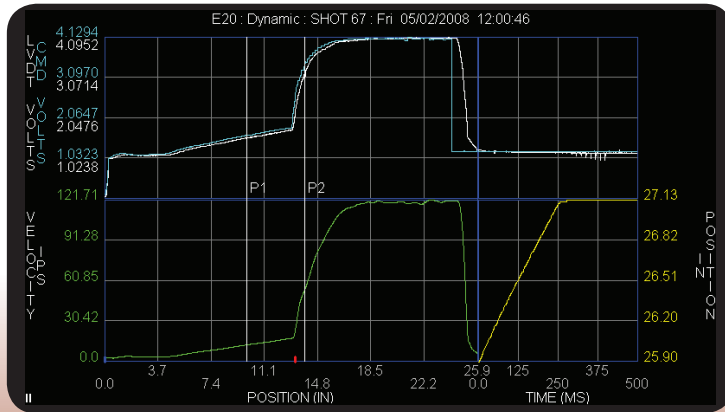
- **Design Simplicity**
for inherent reliability.
- **Extreme Accuracy**
.0007"/.018mm accuracy
up to 200IPS/5MPS.
- **Non-contact sensor**
minimizes equipment wear.
- **No calibration or alignment**
means no set-up problems.
- **Proven Performance**
for over 25 years.
- **Easy to install & operate**
nearly maintenance free.

TECHNICAL SPECIFICATIONS

Resolution:	.0007"/.018mm
Linear Speed:	200IPS/5MPS
Operating Temp:	-40° to 158° F -40° to 70° C
Housing:	.656" x 1.75"

DYNAMICALLY ADJUSTABLE POSITION & VELOCITY

PRECISION CONTROL EVEN UNDER CHANGING CONDITIONS



- 1 Flexible Tools**
for custom controls
- 2 Proven Rugged**
for industrial environments
- 3 Explosive Acceleration**
and rapid deceleration
- 4 Precision Control**
for demanding applications

TYPICAL APPLICATIONS & INDUSTRIES

DIE CASTING MACHINERY

PAPER MANUFACTURING

INJECTION MOLDING MACHINERY

MILITARY CANNON RECOIL

GLASS MOLDING MACHINERY

POWER GENERATION

METAL FORMING PRESSES

ENTERTAINMENT INDUSTRY

TUBE BENDING MACHINERY

MINING EQUIPMENT

HYDROSTATIC FORMING PRESSES

FOOD & BEVERAGE MACHINERY

PACKING MACHINERY

MATERIAL HANDLING

HYDRAULIC SERVO CONTROLS

MEDICAL EQUIPMENT

PROPORTIONAL VALVE CONTROLS

MOBILITY & TRANSPORTATION

RUBBER MIXING MACHINERY



ALUMINUM EXTRUSION PRESSES

FARM & OFF ROAD EQUIPMENT

WOODWORKING MACHINERY

SAWMILL EQUIPMENT

VISI-TRAK CONTROL SYSTEMS

- **Reduce Costs** & create consistent, high-quality product.
- **True Process Control** increases quality & efficiency.
- **Precise Control** over every aspect of velocity & pressure.
- **Dramatic Velocity Change** for responsive control.
- **Relentless repeatability** increases efficiency and up-time!
- **Save & recall** production recipes to reduce set-up time.
- **Store production data** for analysis & quality control.
- **Control entire machine cells** with control for robots, and other auxiliary devices through PLC interfaces.